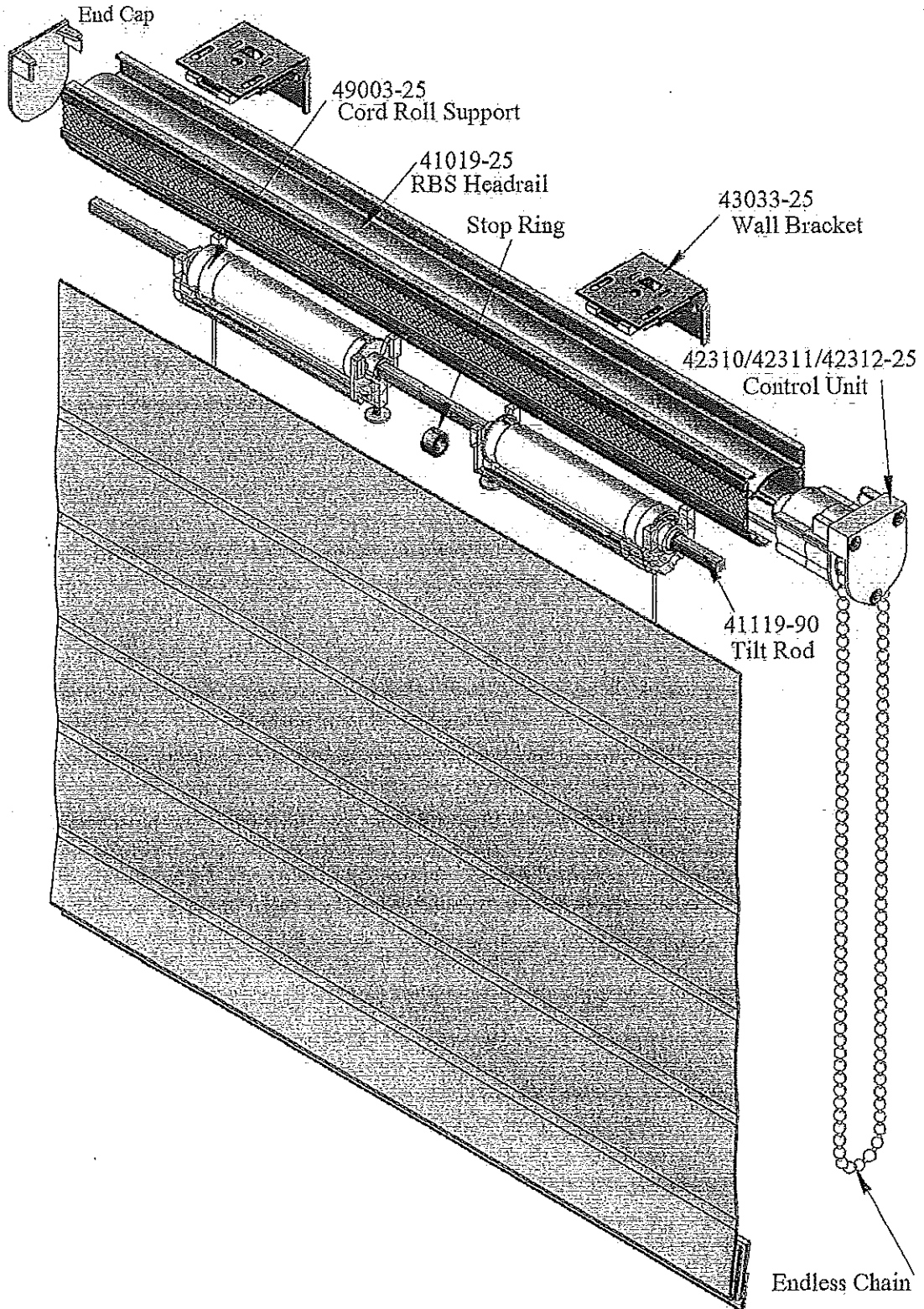


FOREST

DRAPERY HARDWARE

RBS Assembly Instructions



For more information, please contact Forest Group USA, Inc. 1500 Donn Dr.
Cartersville, GA 30120 Phone (800) 487-9901.

FOREST

DRAPERY HARDWARE

RBS Part List

- 49003-25 – Cord Roll Support
- 41019-25 – RBS Headrail
- 43044-25 – Spring Wall Bracket
- 42310-25 – 1:1 Control Unit (includes End Cap and Stop Ring)
- 42311-25 – 1:4 Control Unit (includes End Cap and Stop Ring)
- 42312-25 – 1:2 Control Unit (includes End Cap and Stop Ring)
- 41119-90 – RBS Tilt Rod
- 490xx-25 – RBS Endless Ball Chain (multiple drop lengths available)

For all other components needed for fabrication and installation, please refer to the Roman Blind System section of the Forest Group Retail Price Guide.

RBS Assembly

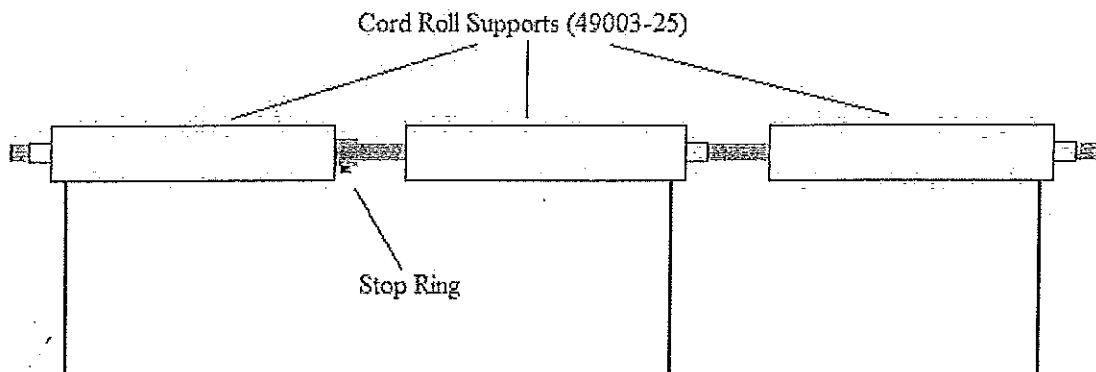
1. Determine what your completed width needs to be for your RBS Unit and make the following deductions.
 - a. For a 1:1 Control Unit (42310-25): Cut the RBS Rail (41019-25) 1/2" shorter than your completed width. Cut the Tilt Rod (41119-90) 1" shorter than your completed width.
 - i. Example: If your completed width is 60", cut the RBS Rail at 59-1/2", and cut your Tilt Rod at 59"
 - b. For a 1:2 Control Unit (42312-25): Cut the RBS Rail (41019-25) 5/8" shorter than your completed width. Cut the Tilt Rod (41119-90) 1-1/4" shorter than your completed width.
 - i. Example: If your completed width is 60", cut the RBS Rail at 59-3/8", and cut your Tilt Rod at 58-3/4"
 - c. For a 1:4 Control Unit (42310-25): Cut the RBS Rail (41019-25) 1/2" shorter than your completed width. Cut the Tilt Rod (41119-90) 1-3/4" shorter than your completed width.
 - i. Example: If your completed width is 60", cut the RBS Rail at 59-1/2", and cut your Tilt Rod at 58-1/4"

For more information, please contact Forest Group USA, Inc. 1500 Donn Dr.
Cartersville, GA 30120 Phone (800) 487-9901.

FOREST

DRAPERY HARDWARE

2. Take the Cord Roll Supports (49003-25) out of the bag (it is recommended to use 1 piece per foot). There should be a small, white Philips head screw included in the bag as well. Also, take the Stop Ring out of the bag with the Control Unit. Then insert the Tilt Rod (41119-90) into the middle of each Cord Roll Support and place the Stop Ring on the Tilt Rod prior to the last Cord Roll Support. The illustration below shows how the assembly should look if the Control Unit will be placed on the right.



- NOTE: Be sure that every Cord Roll Support is evenly placed and that the first set and last set are placed in opposite directions.
3. Insert the Tilt Rod with the Cord Roll Supports and Stop Ring into the RBS Rail (41019-25). The way you insert the Tilt Rod set depends on where your Control Unit will be placed. For example, on the illustration above, the Control Unit should be placed on the right.
 4. Insert the desired end of the Tilt Rod into the Control Unit and place the Control Unit into the RBS Rail. Place the End Cap (included with the Control Unit) onto the RBS Rail at the end opposite the Control Unit.
 5. Place the Cord Roll Supports at the desired spacing. It is recommended that the first and last Cord Roll Supports be set at each end and the rest at an even distance from each other. Now, secure them with the included screws and do the same with the Control Unit. Also, tighten the Stop Ring next to the last Cord Roll Support.
 6. Remove the screw holding the cap on the Control Unit and insert the Endless Chain. Replace the screw and insert the other two screws that were included with the Control Unit.

Now you are ready to install and use your Roman Blind System. For any questions, feel free to contact Forest Group or your local distributor.

For more information, please contact Forest Group USA, Inc. 1500 Donn Dr.
Cartersville, GA 30120 Phone (800) 487-9901.